

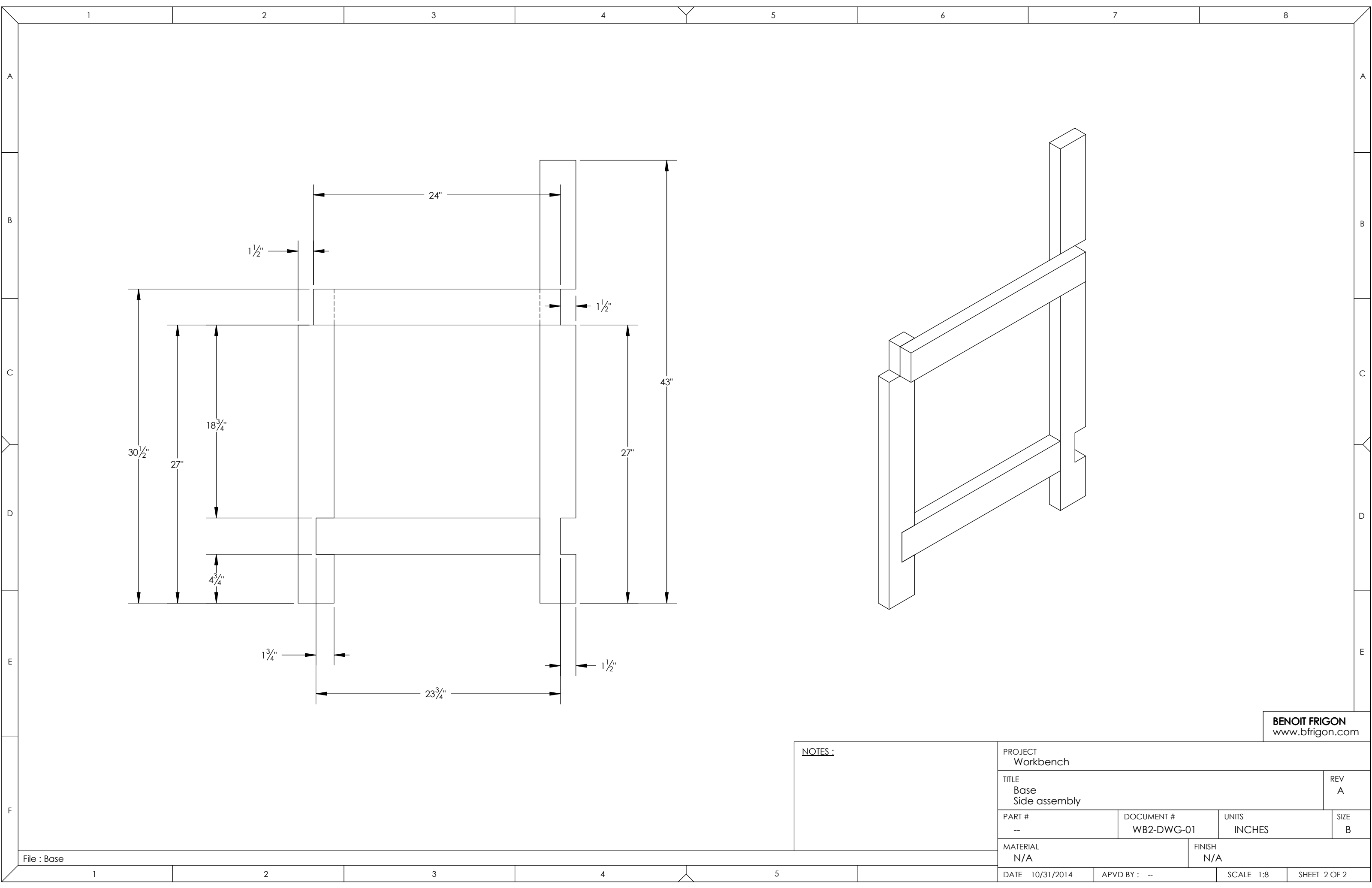
ITEM	DESCRIPTION	DIMENSIONS	QTY.
A	Vertical post (Front)	2 x 4 x 30 1/2"	2
B	Vertical post (Back)	2 x 4 x 43"	2
C	Side bracing (Top)	2 x 4 x 24"	2
D	Side bracing (Bottom)	2 x 4 x 21 3/4"	2
E	Cross bracing	2 x 4 x 50"	1
F	Horizontal bracing (Bottom)	2 x 4 x 53"	1
G	Horizontal bracing (Top)	2 x 4 x 56"	2
H	Bottom shelf	53" x 12" x 3/4"	1
I	Bench top	58" x 28" x 3/4"	1

BENOIT FRIGON
bfrigon@gmail.com

NOTES:

PROJECT Workbench			
TITLE Base Assembly			REV A
PART # --	DOCUMENT # WB2-DWG-01	UNITS INCHES	SIZE B
MATERIAL N/A		FINISH N/A	
DATE 10/31/2014	APVD BY: --	SCALE 1:12	SHEET 1 OF 2

File : Base

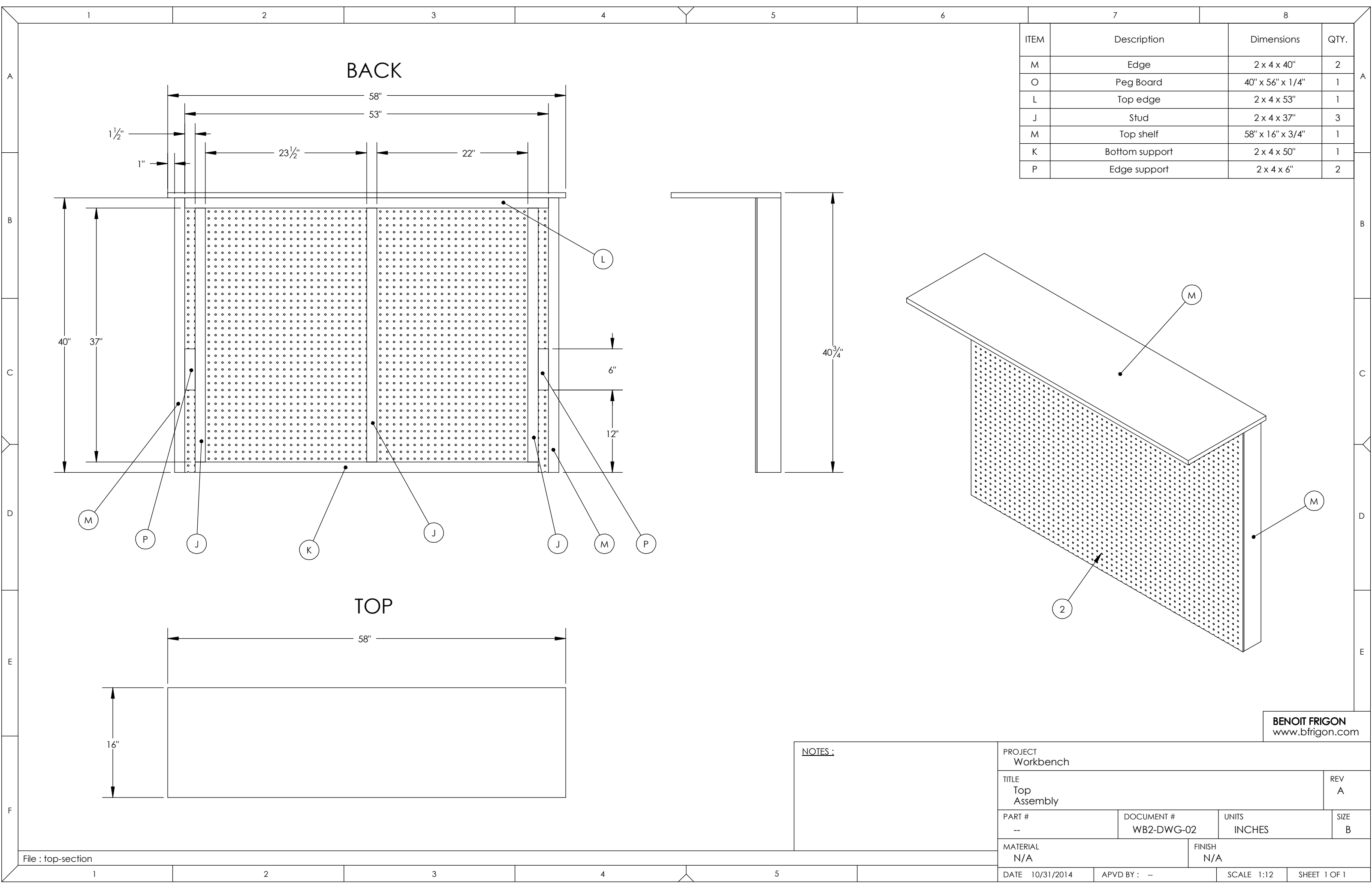


BENOIT FRIGON
www.bfrigon.com

NOTES :

PROJECT Workbench			
TITLE Base Side assembly			REV A
PART # --	DOCUMENT # WB2-DWG-01	UNITS INCHES	SIZE B
MATERIAL N/A		FINISH N/A	
DATE 10/31/2014	APVD BY : --	SCALE 1:8	SHEET 2 OF 2

File : Base



ITEM	Description	Dimensions	QTY.
M	Edge	2 x 4 x 40"	2
O	Peg Board	40" x 56" x 1/4"	1
L	Top edge	2 x 4 x 53"	1
J	Stud	2 x 4 x 37"	3
M	Top shelf	58" x 16" x 3/4"	1
K	Bottom support	2 x 4 x 50"	1
P	Edge support	2 x 4 x 6"	2

BENOIT FRIGON
www.bfrigon.com

NOTES:

PROJECT Workbench			
TITLE Top Assembly			REV A
PART # --	DOCUMENT # WB2-DWG-02	UNITS INCHES	SIZE B
MATERIAL N/A		FINISH N/A	
DATE 10/31/2014	APVD BY: --	SCALE 1:12	SHEET 1 OF 1